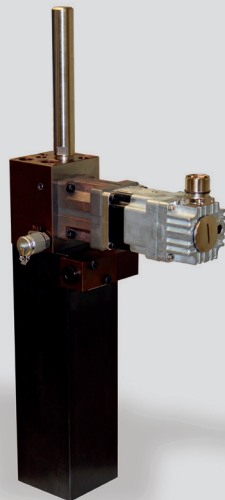


Electrohydraulic Power Rod -MINI- Technical Data Sheet



Design and Function

The electrohydraulic power rod is a highly dynamic, compact linear drive. With model type -MINI-, the application range up to flow rates of 30 l/min can be covered.

The electronic control circuit converts the input parameters like speed, position and tool movement profile into signals which drive a low-power stepper motor. This movement is amplified by the highly dynamic mechanical closed loop system of the power rod.

The hydromechanical closed loop operates without measuring systems or additional electronic control devices. This straightforward design concept ensures the ruggedness and reliability typical of Voith compact units.

Technical Data

General

Stroke length	50 / 100 / 150 mm
Return force	approx. 10% to 20% rod force
Programmable step size	0.1 - 0.004 mm
Max. speed	500 mm/s
Ambient temperature	+5 to +50 °C
Mounting position	any

Hydraulic

Operating pressure	max. 100 bar
Flow	max. 30 l/min
Hydraulic oil temperature	-10 to +70 °C
Viscosity range	10 to 300 mm ² /s

Electric

Pilot motor	stepper motor, 2 phase, 24 V; 1.5 A
Control	2 phase power amplifier digital / analog

Features

- Programmable speed, position and tool feed profiles
- Hydromechanical closed loop, 4-way control
- High dynamic drive, smooth rod movement
- Modular system, flexible cylinder make
- No measuring systems are required
- Compact design

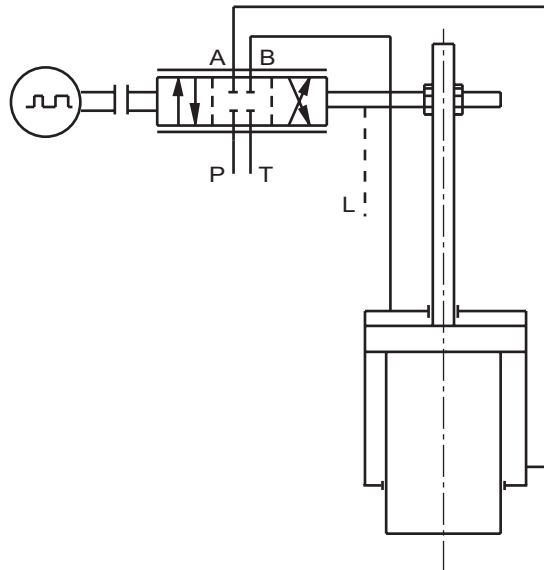
Options

- Additional cylinder dimensions

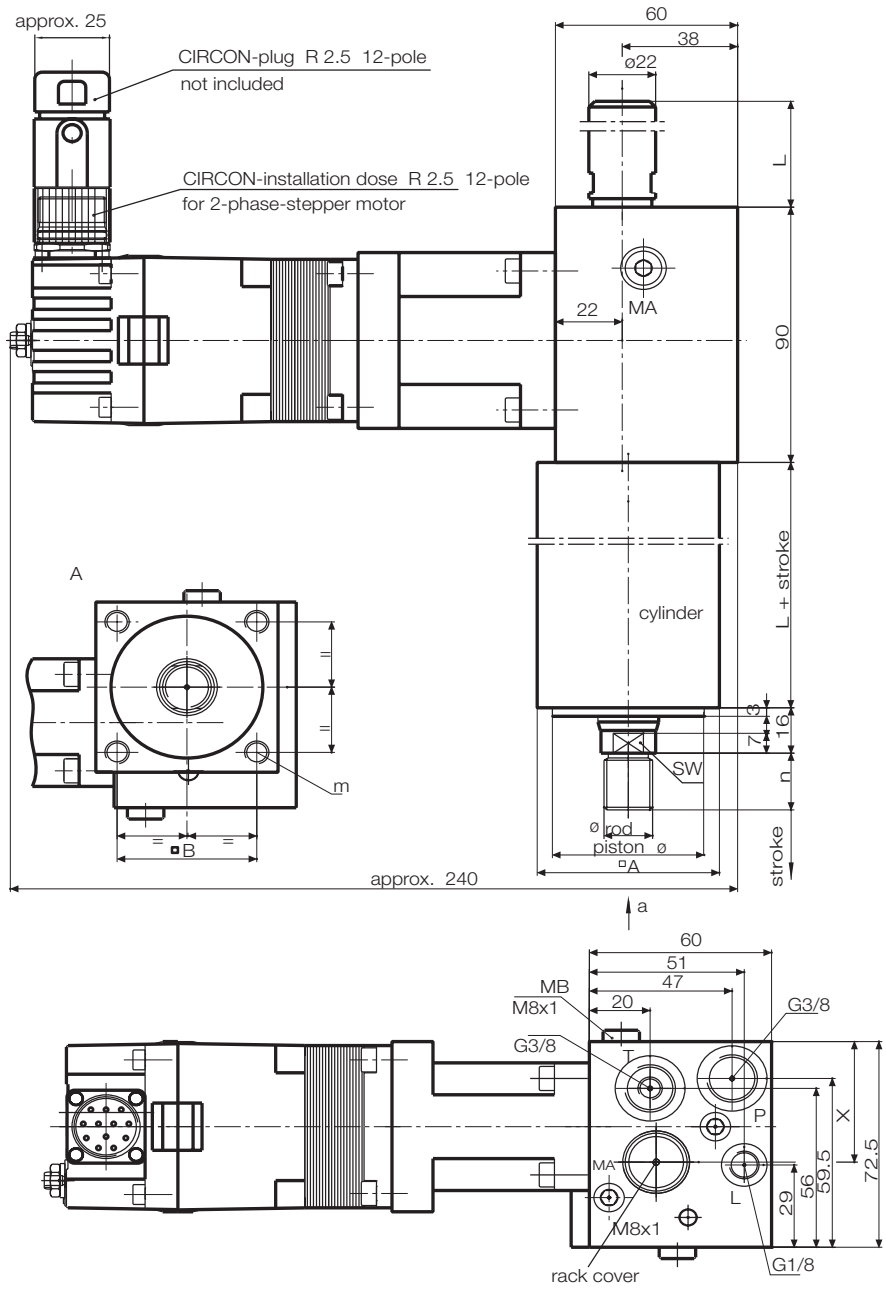
Applications

- Positioning
- Forming
- Punching
- Shearing

Functional Diagram



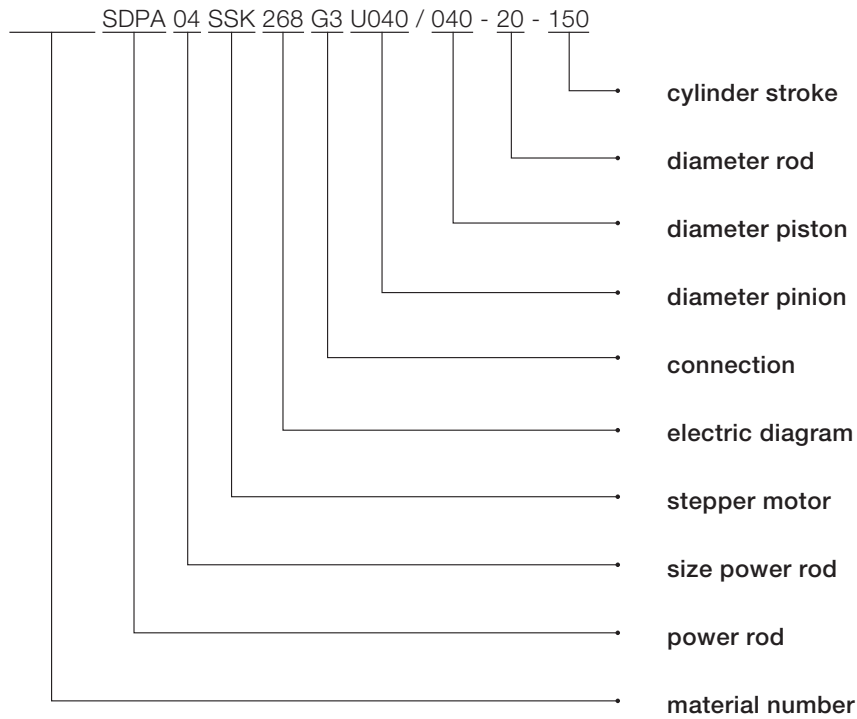
Basic Dimensional Drawing



dimensions in mm

Ø piston	Ø rod	L+stroke*AB/C													dimension x	
		stroke	stroke	stroke	L	A	B	SW	f	h	m	n	pinion U=040	pinion U=080		
		50 mm	100 mm	150 mm												
25	12	35	85	-	86.5	60	46	10	45	M10x1	M8	20	42.5	48.6		
32	16	35	85	-	86.5	60	46	12	45	M12x1.25	M8	20	42.5	48.6		
40	20	35	85	143	86.5	60	46	15	45	M16x1.5	M8	20	42.5	48.6		
50	25	35	85	143	102.5	80	60	19	60	M20x1.5	M10	30	42.5	48.6		
60	30	35	85	143	102.5	80	60	24	60	M24x1.5	M10	35	42.5	48.6		

Type Code



This is a translated document. Original language: german.
Legally binding language version of document: german.

Voith Turbo H + L Hydraulic GmbH & Co. KG
Schuckertstraße 15
71277 Rutesheim, Germany
Tel. +49 7152 992 3
Fax +49 7152 992 400
sales-rut@voith.com
www.voith.com/hydraulic-systems



VOITH
Engineered Reliability